



The Legacy Companies
 3355 Enterprise Avenue, Suite 160, Fort Lauderdale, FL 33331
 Sales: (954) 202-7419 • Sales@TheLegacyCompanies.com
 Tech Service: (877) 368-2797 • Service@MaxxHelp.com

Project Name: _____
 Location: _____
 Item #: _____ Qty: _____
 Model: _____

www.MaxximumFoodService.com

ICE STORAGE BINS

Model: BIN230 BIN400 BIN650 BIN950



Maxx Ice Machine
Shown on Bin



Small to medium capacity ice storage bins for use with all major commercial icemakers. Storage capacities from approximately 104 to 431 kg (230 to 950 lbs). All models come standard with stainless steel exterior. All bins include stainless steel tops custom-cut to accommodate any ice machine.

STORAGE CAPACITY

BIN230 230lbs (104kg)
 BIN400 400lbs (181kg)
 BIN650 660lbs (299kg)
 BIN950 950lbs (431kg)

Gravity Drain is required.

FEATURES and CONSTRUCTION

- Exterior Material: Stainless Steel
- Interior: Polyethylene bin liner for sanitary storage
- Heavy-duty support even heavy stacks of icemakers
- Non-corroding polyethylene-lined walls eliminate pitting and staining from released chlorine and makes cleaning easy
- Non-CFC polyurethane foam insulation bonds the shell and lining
- Rigid stainless steel lift doors to withstand heavy use
- Fully replaceable gasket seals door opening to reduce meltage
- Extra large door openings to access ice and for easier bin cleaning
- Extra low door sills make it easy to reach ice at the bottom
- Stainless steel tops are custom-cut to accommodate any ice machine.

ACCESSORIES

6" (153 mm) legs

- * BIN Series Ice Storage Bins are compatible with all Maxx Ice Modular Ice Makers. BIN650 & BIN950 models come with an adapter plate.
- * Adapter plates are available to mate any manufacturer's Modular Ice Maker with the BIN family of Ice Storage Bins, however they are a special order item and a lengthened delivery schedule is likely.



Certified to
ANSI-NSF 7

Maxx Ice WARRANTY (USA / CANADA)

Three (3) years parts
 Three (3) years on-site labor
 Administered by The Legacy Companies, 877.368.2797

Due to periodic changes in designs, methods, procedures, policies and regulations, the specifications contained in this sheet are subject to change without notice. While we exercise good faith efforts to provide information that is accurate, we are not responsible for errors or omissions in information provided or conclusions reached as a result of using the specifications. By using the information provided, the user assumes all risks in connection with such use.

The built in performance enhancing functions ensure that given proper attention and preventative maintenance, each Maxx Product will deliver years of trouble free, reliable, low maintenance, efficient operation.



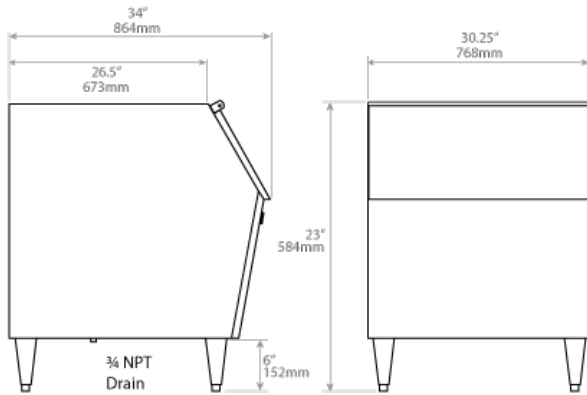
The Legacy Companies
 3355 Enterprise Avenue, Suite 160, Fort Lauderdale, FL 33331
 Sales: (954) 202-7419 • Sales@TheLegacyCompanies.com
 Tech Service: (877) 368-2797 • Service@MaxxHelp.com

Project Name: _____
 Location: _____
 Item #: _____ Qty: _____
 Model: _____

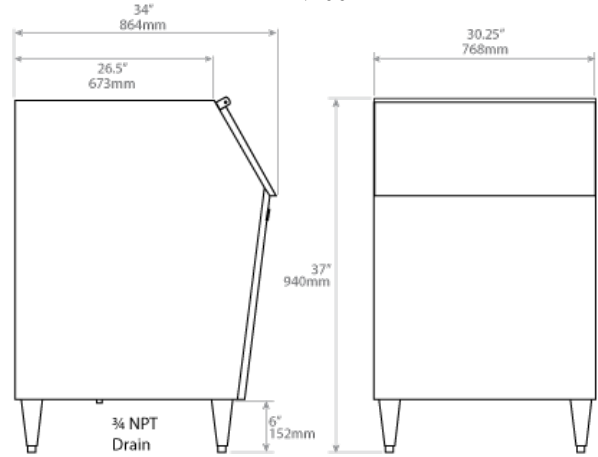
www.MaximumFoodService.com

ICE STORAGE BINS

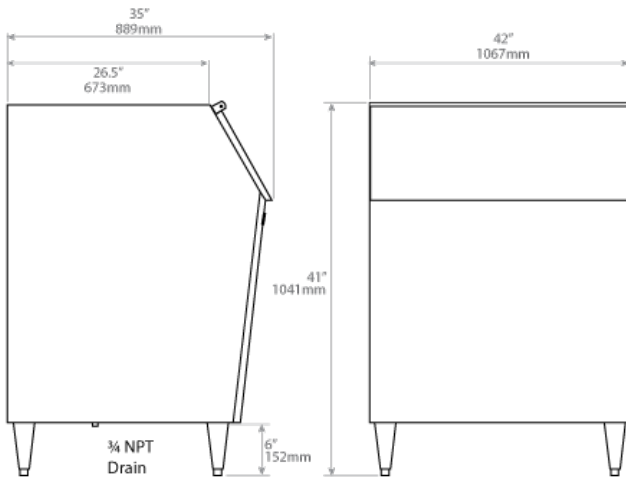
BIN230



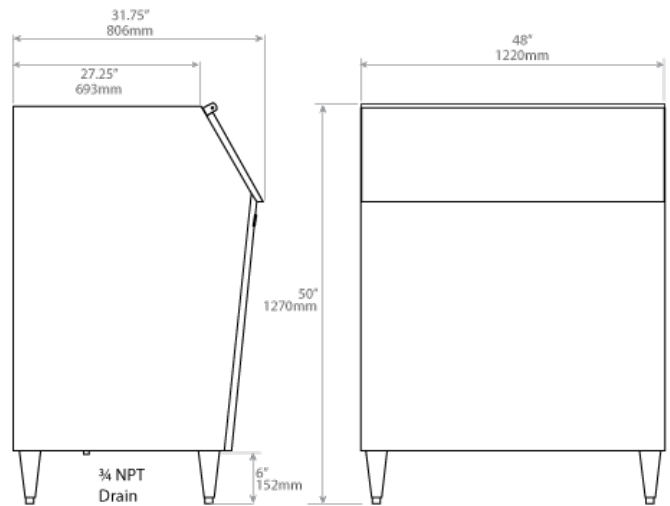
BIN400



BIN650



BIN950



	BIN230	BIN400	BIN650	BIN950
In: External Dimensions W x D X H	30.25 x 34 x 23	30.25 x 34 x 37	42 x 35 x 41	48 x 31.75 x 50
mm: External Dimensions W x D X H	768 x 864 x 584	768 x 864 x 940	1067 x 889 x 1041	1220 x 806 x 1270
Cubic Capacity	6.5 cu ft (0.18 cu m)	12.33 cu ft (0.35 cu m)	21.5 cu ft (0.61 cu m)	30.1 cu ft (0.85 cu m)
Max Bin Capacity	230lbs (104kg)	400lbs (181kg)	660lbs (299kg)	950lbs (431kg)
AHRI BW Capacity	184 lbs (83kg)	320 lbs (145kg)	528 lbs (239kg)	760 lbs (345kg)
Style	SLOPED FRONT	SLOPED FRONT	SLOPED FRONT	SLOPED FRONT

Due to periodic changes in designs, methods, procedures, policies and regulations, the specifications contained in this sheet are subject to change without notice.
 While we exercise good faith efforts to provide information that is accurate, we are not responsible for errors or omissions in information provided or conclusions reached as a result of using the specifications.
 By using the information provided, the user assumes all risks in connection with such use.